

Solar heated showers

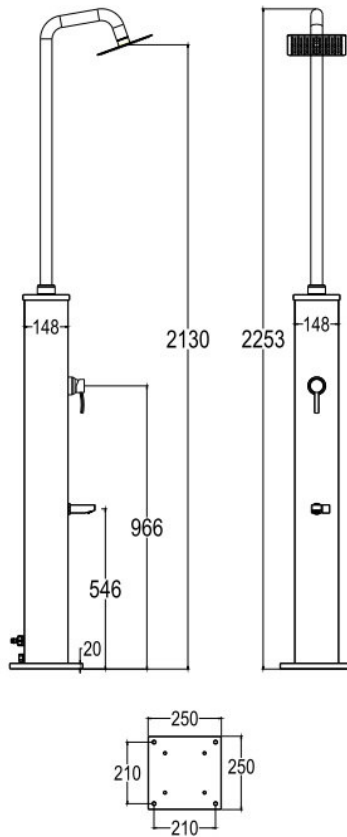
SHOWER-DINO-BLACK - DINO - SS0918

SINED BLACK DINO SHOWER, lots of free hot water all day heated by the sun. For the garden, swimming pool, hotels, B&Bs, bathing establishments, campsites.

Operating and Maintenance Instructions



The photo is only indicative. The actual product may appear slightly different coloring.



Thank you for purchasing this SINED product. We are constantly improving our products. However, in case this product has any defects, we apologize and please contact our customer service department.

USER AND MAINTENANCE MANUAL

This manual is an integral part of the product you have purchased. It contains important information for the installation and use of the product. Read all instructions, especially the safety precautions, before using this product. Failure to follow the instructions and warnings may result in serious personal injury and product damage. The instructions provided are based on the standards and regulations valid in the European Union. For other countries, follow the specific regulations. Keep the instructions for future reference and pass them to others.

INTENDED USE

This model of Solar Heating Shower is recommended for family use.

A solar shower is designed to be used outdoors only. In addition, the shower is equipped with a foot-washing faucet at the bottom which provides only cold water that can also be used for watering (note that the water is not for drinking). Use this product only as described in the instructions. Any other use may cause damage to property or even persons. This product is not a toy. The manufacturer or seller shall not be liable for any damages resulting from improper use or use not in accordance with the stated purpose.

Safety warnings

Carefully read and follow all the warnings and instructions. Failure to follow them can result in property damage, serious injury or even death. These warnings, instructions, and product safety guidelines cover many, but not all, of the possible hazards and risks. Use caution and assess all hazardous situations correctly. Failure to operate this product properly may result in death or serious injury.

Caution! All repairs must be performed by qualified personnel only to avoid possible hazards. If necessary, contact a qualified technician. In the event of self-initiated repairs, improper installation or misuse, liability and warranty claims will be voided. Only spare parts that correspond to the original product data may be used for repairs.

WARNING! Hazards for children and persons with reduced physical, sensory or mental capabilities, or lack of experience and knowledge: Children should not play with this product. Cleaning should not be carried out by children or persons with reduced physical, sensory or mental capabilities.

NOTE: Risk of damage! The product can be damaged by improper use.

Content Control

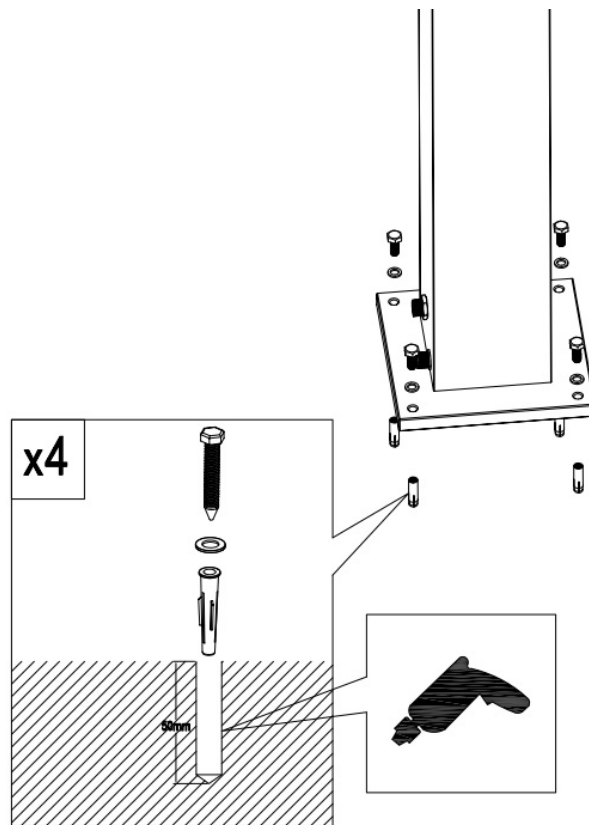
WARNING! Risk of damage to the product! If the packaging is opened with a sharp knife or other sharp tool without proper care, the contents may be damaged. After opening the package, be careful to:

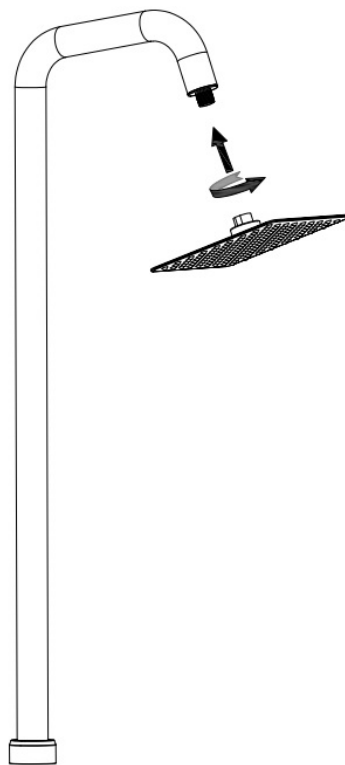
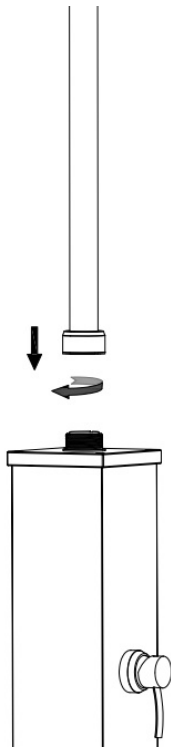
- Take the product out of the package
- Check the contents of the package
- Check that the product and its individual parts are undamaged. If this is not the case, do not use the product and contact the seller immediately.

Installation

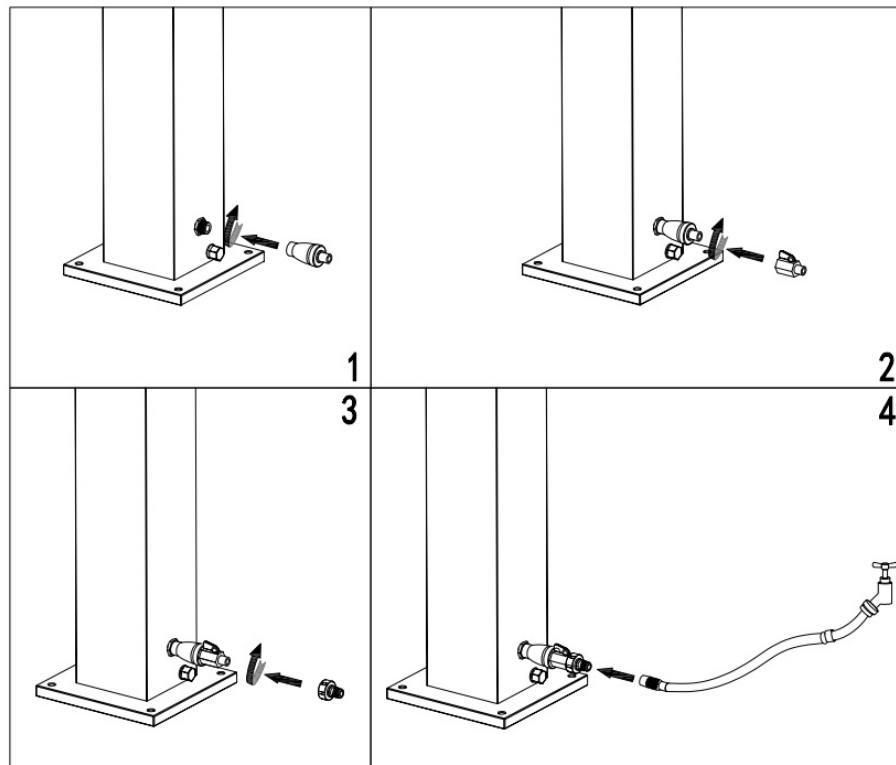
Follow the diagrams below for installation and assembly:

We recommend not drilling holes directly through the holes in the shower base





Make sure the rubber washers are positioned correctly before installing the showerhead and top tube.



First start-up

Before connecting the water hose to the shower, purge the pipes by running the water for at least 5 minutes to remove any debris that may be in the pipes. Make sure only clean water comes out with no debris.

Connect the water hose to the supplied limescale filter Fig. 1, to the inlet faucet Fig. 2, and then to the shower Fig. 3 and Fig. 4. Make sure the inlet faucet is open. Set the lever on the shower mixer to "hot" and let the water flow into the shower: this will prevent air bubbles from forming in the tank.

Filling the tank takes approx. 4-6 minutes. When the water flows evenly and smoothly out of the overhead shower, close the mixer with the lever in the middle - the tank is now completely full.

The maximum working pressure of the shower is 3 bar. Make sure the hose is properly secured.

Use

Caution: Solar radiation causes the water in the solar tank to become very hot. Therefore, we recommend that you always set the cold/hot mixer to the middle position (between hot and cold) before opening the faucet and running the water.

Then adjust the desired temperature by turning the mixer lever to the right (hot water) or left (cold water).

- 1) Turn the faucet to the "HOT" position to enjoy a hot shower with water heated by the sun. Please note: the water supply and inlet faucet must be open for the shower to operate!
- 2) When you have finished using it, turn off the shower water supply.

If you are not going to use the shower for 24 hours or more, let the water run for at least 2 minutes before using the shower so that the water in the solar reservoir can be completely replaced. In hot environments, standing water may cause pathogenic bacteria to multiply.

ATTENTION! The water once contained in the tank is no longer considered drinking water!

If you do not plan to use the shower for several days, we recommend closing the inlet tap and emptying the shower by turning the mixer lever to the HOT position and opening the cap at the bottom. Before covering the shower with the special protection bag, make sure that the surface of the shower is perfectly dry.

Important Warnings

Water leaking from the shower head even after turning off the shower faucet is not a defect but a technical requirement!

A solar shower is not a closed system. If there is a demand for hot water, cold water enters the tank from below through the valve pushing out the hot water already in the top of the tank.

The entire shower body is filled with water and acts as a reservoir for solar heating of the water contained within. The pressure built up as a result of heating can cause water to leak from the shower head even if the mixer is in the closed position.

Disassembly at the end of the season

During the winter period, the shower must be COMPLETELY drained of its water content. Also during the winter, the shower must be disassembled and stored in a dry place.

Failure to observe this warning may result in frost damage to the product.

Frost damage is not covered by warranty.

- 1) Close the shower and remove the garden hose.
- 2) To drain the shower, turn the mixer back to the "HOT" position (approx. 2 minutes) and open the drain plug.
- 3) Remove the fixing screws on the base and drain the remaining water from the bottom of the shower by tilting the shower (this is absolutely necessary!).

Cleaning

Use commercially available cleaners for cleaning. Do not use cleaning agents containing solvents, abrasive cleaners or hard sponges, brushes, etc.

Warranty

The provisions in force in the European Community apply.

SINED showers have a 2-year warranty from the date of purchase against defects in materials and workmanship.

- The warranty does not cover components subject to wear and tear, including mixers, shower heads, taps, etc..
- The warranty does not cover damage due to incorrect assembly, improper use and incorrect maintenance (e.g. use of inappropriate cleaning agents).
- Damage resulting from the use of non-original spare parts is not covered by the warranty.
- The warranty does not cover any damage resulting from work not carried out by specialized technicians.
- Damage due to frost, limescale or other impurities inside the shower is not covered by the warranty.

In the presence of problems covered by the warranty, the product must be returned to the seller.

- The product must be carefully packaged and complete with all its parts and accessories;
- Must be described in detail the reason for return and provided proof of purchase (invoice or receipt);
- Return shipping costs are the responsibility of the buyer;
- The returned product will be checked by the seller and repaired or replaced at the sole discretion of the seller.

Production: Starmatrix Group Inc.

Address: 253 Mengxi Road
Zhenjiang, Jiangsu, CHINA

Made in China Imported in Italy by M.P.C. srl Via Tortona 21 Milano 20144 Italy Tel +39 02 21117815
e-mail info@mpcshop.it website www.sinedtechnology.com

The SINED trademark and the SINED logo are registered by SINED VENTAS ONLINE S.L.U. EUTM 018196373