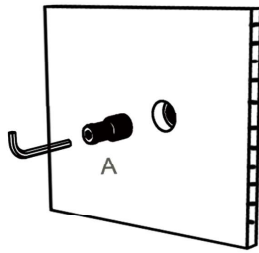
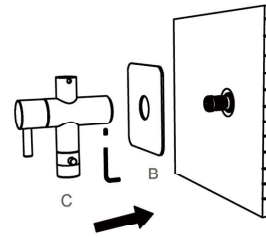


①

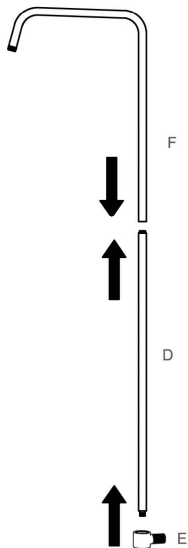


②

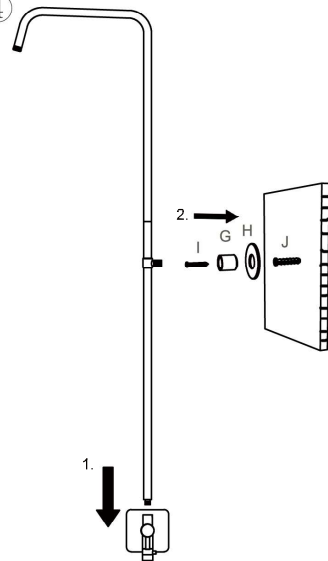


⚠ Before fasten the body, adjust the position to make sure it is vertical

③

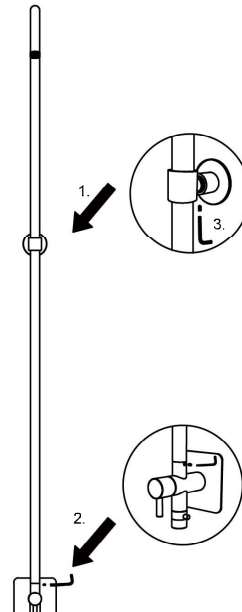


④



1. Insert the shower tube into the body to keep the tube vertical;
2. Mark the installation position for parts H-J, take down the shower tube, install the parts H-J on the marked position;

⑤



1. Insert the shower tube into the body, put the shower tube into the fixed base on the wall
2. Fix the body with screw. ⚠ Attention: When the screw is turned to position, back out a little to keep the tube flush with the body;
3. Fix the shower tube with screw

⑥

